

For reference only. See data sheet for the detailed specifications.

## Technical Specification



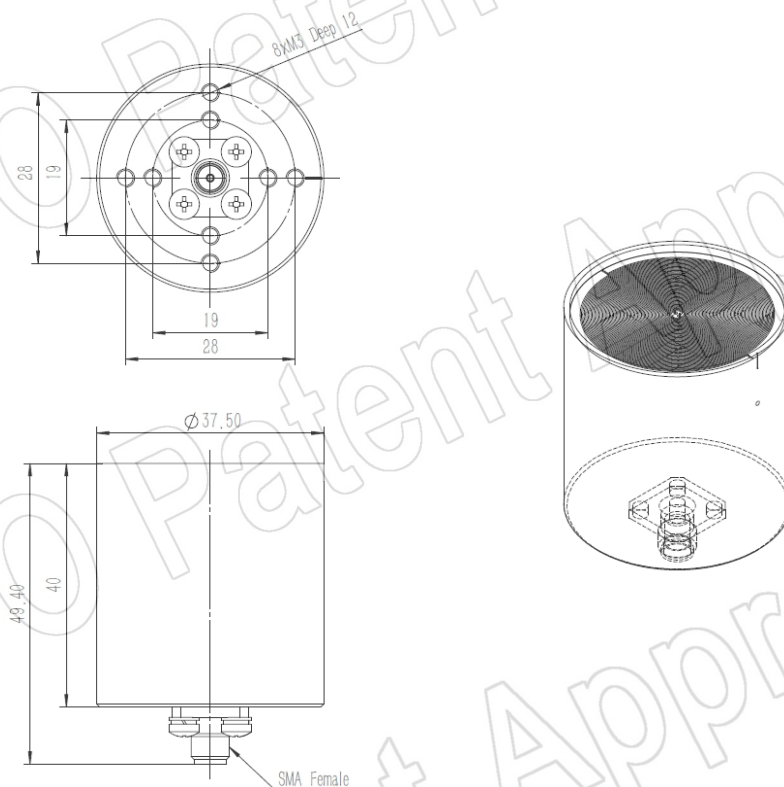
Frequency Range(GHz)	4.0 – 8.0
Gain(dBic)	-1.0 - 6.0
	2.0 Typ.
Polarization	RHCP or LHCP
Axial Ratio(dB)	1.5 Typ.
	3.0 Max.
3dB Beamwidth(deg)	E Plane: 120 - 65
	H Plane: 105 - 60
VSWR	1.5:1 Typ.
	2.0:1 Max.
Connector	SMA-Female
Material	Al
Size(mm)	37.5 x 37.5 x 49.4
Net Weight(Kg)	0.06 Around

**PATENT ID (China)**

**ZL201921373071.0**

## Outline Drawing (Size: mm)

SMA-Female Output (P/N: LX-4080\_RHCP or LX-4080\_LHCP)



**AINFO Inc.**

China(Beijing):  
China(Chengdu):  
USA :

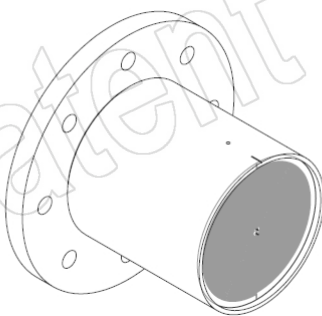
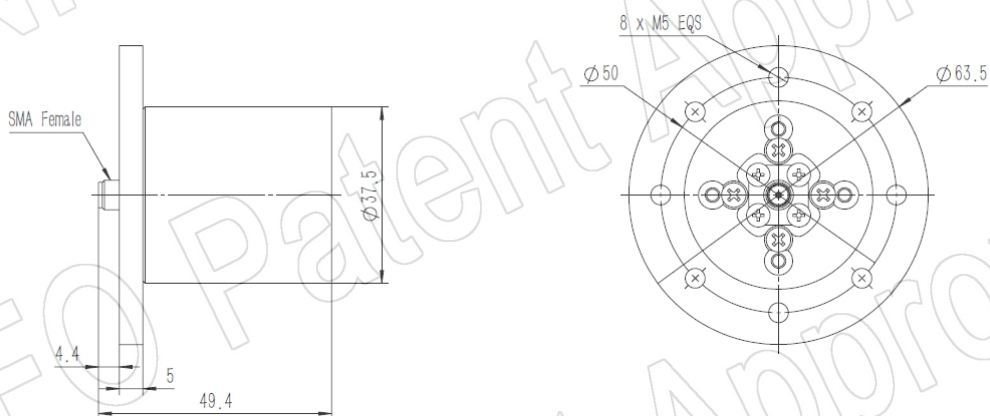
Tel: (+86) 10-6266-7326,  
Tel: (+86) 28-8519-2786,  
Tel: (+1) 949-639-9688,

(+86) 10-6266-7327  
(+86) 28-8519-3044  
(+1) 949-639-9608

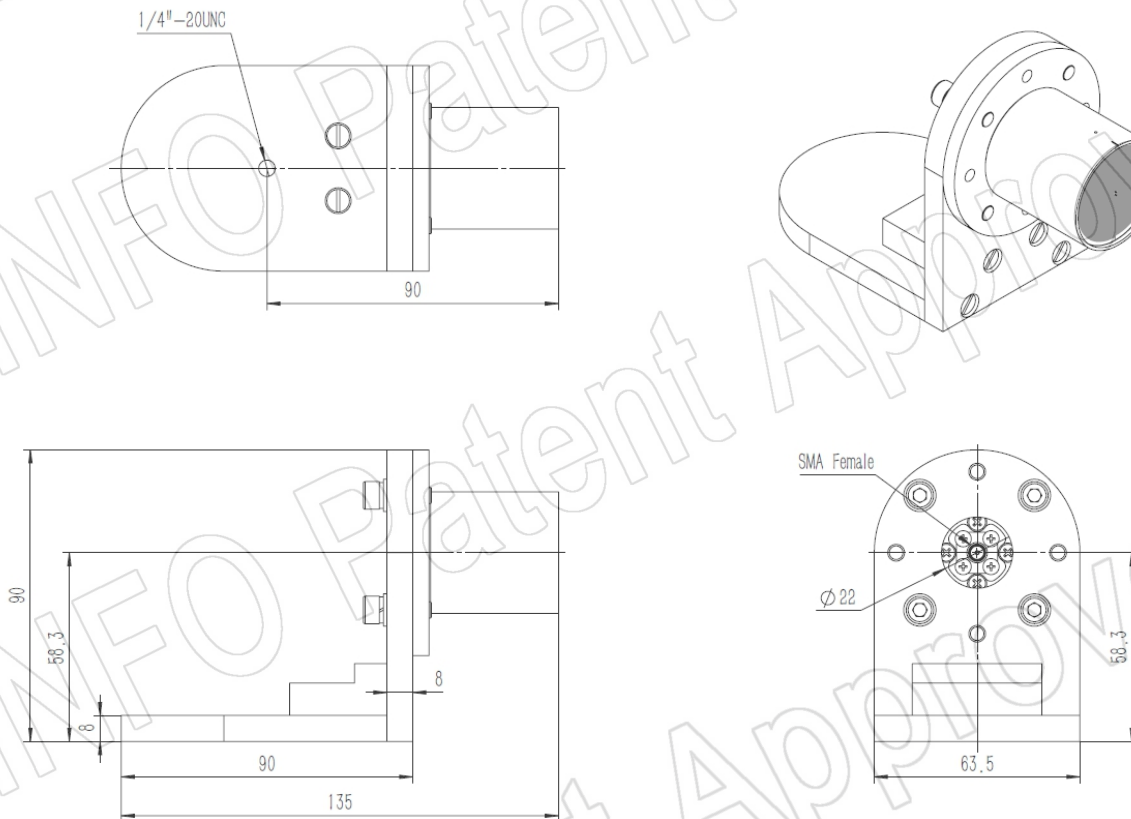
Fax: (+86) 10-6266-7379  
Fax: (+86) 28-8519-3068  
Fax: (+1) 949-639-9670

Website: [www.ainfoinc.com](http://www.ainfoinc.com)  
Email: [sales@ainfoinc.com](mailto:sales@ainfoinc.com)

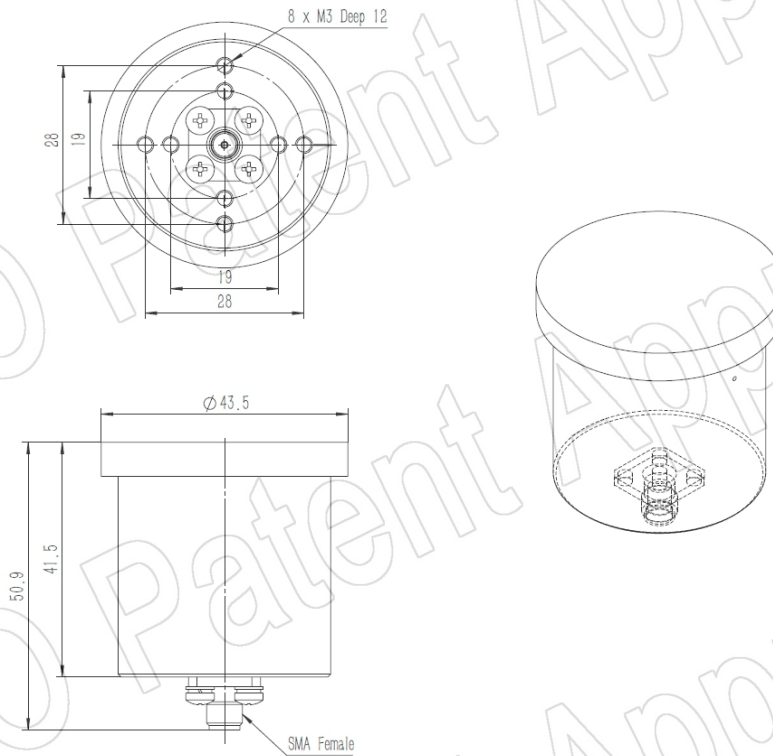
SMA-Female Output with Round Mounting Bracket (Option, P/N: LX-40180-MB)



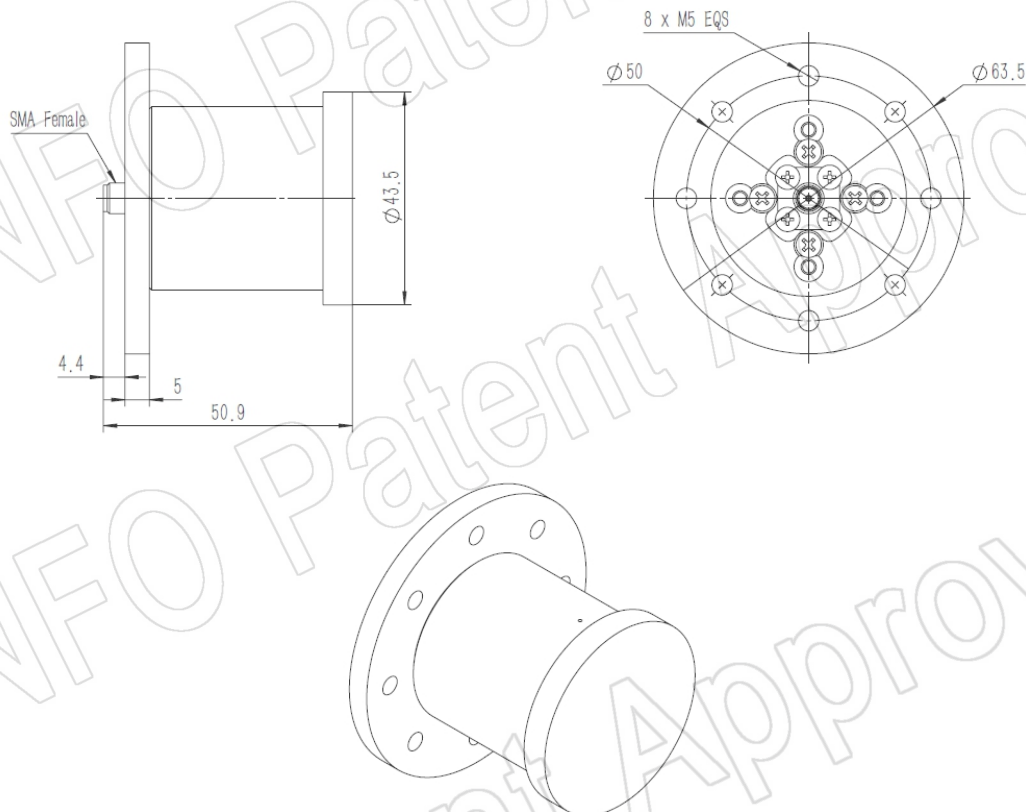
SMA-Female Output with L Type Mounting Bracket (Option, P/N: LX-40180-MBL)



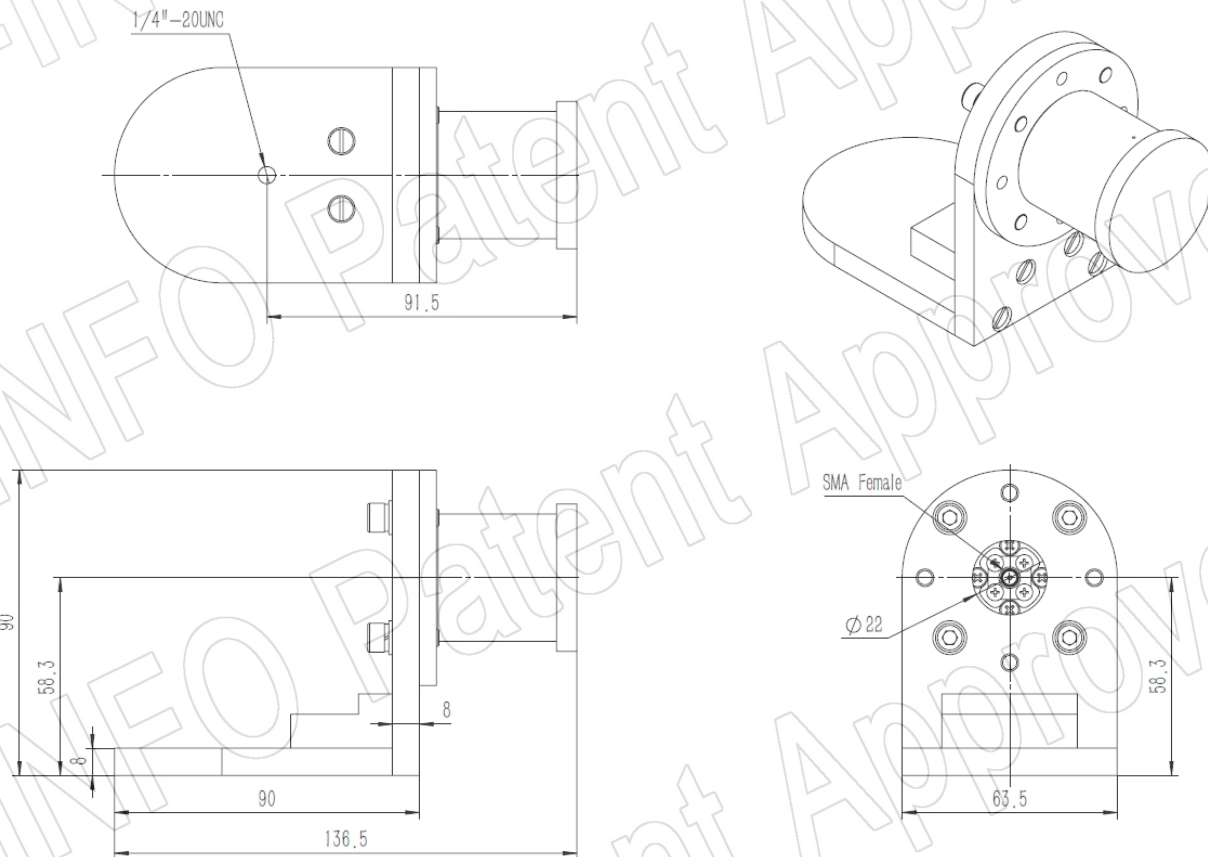
SMA-Female Output with Radome (Option, P/N: LX-4080\_RHCPSP0 or LX-4080\_LHCPSP0, Outdoor Application)



SMA-Female Output with Round Mounting Bracket & Radome (Option, P/N: LX-40180-MB & LX-4080\_RHCPSP0 or LX-4080\_LHCPSP0, Outdoor Application)



SMA-Female Output with L Type Mounting Bracket & Radome (Option, P/N: LX-40180-MBL & LX-4080\_RHCPSP0 or LX-4080\_LHCPSP0, Outdoor Application)



**AINFO Inc.**

China(Beijing):  
China(Chengdu):  
USA :

Tel: (+86) 10-6266-7326,  
Tel: (+86) 28-8519-2786,  
Tel: (+1) 949-639-9688,

(+86) 10-6266-7327  
(+86) 28-8519-3044  
(+1) 949-639-9608

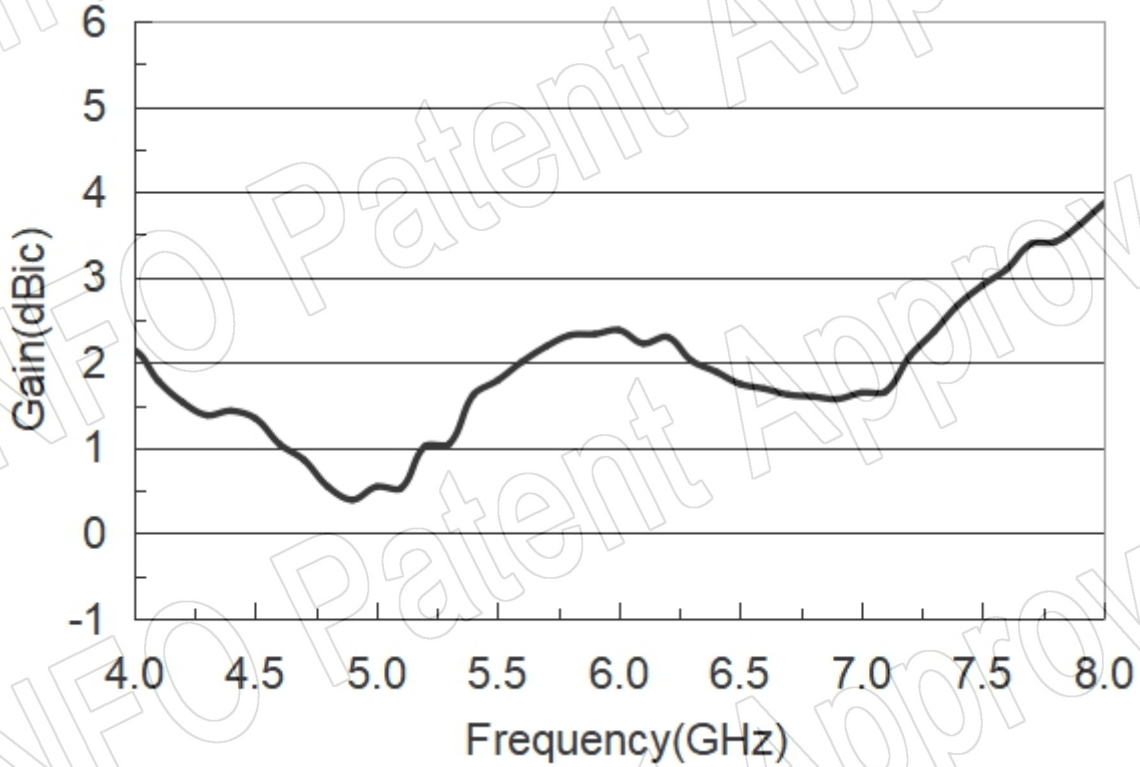
Fax: (+86) 10-6266-7379  
Fax: (+86) 28-8519-3068  
Fax: (+1) 949-639-9670

Website: [www.ainfoinc.com](http://www.ainfoinc.com)  
Email: [sales@ainfoinc.com](mailto:sales@ainfoinc.com)

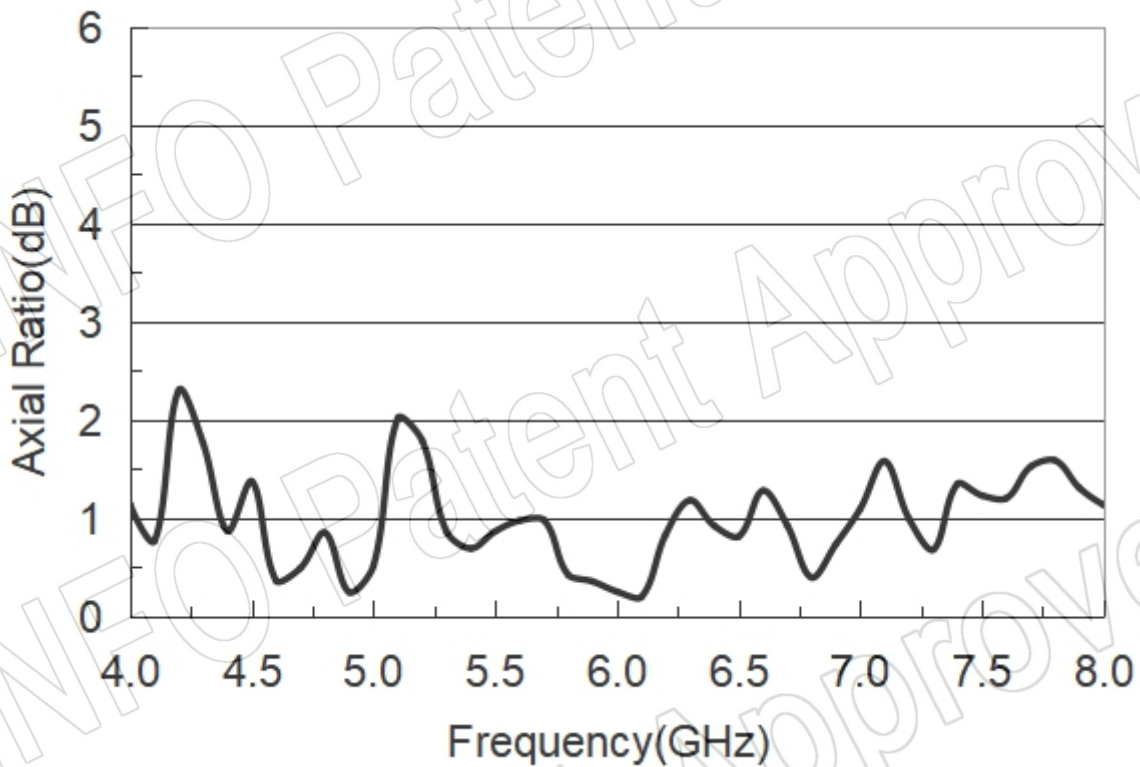


## Test Results

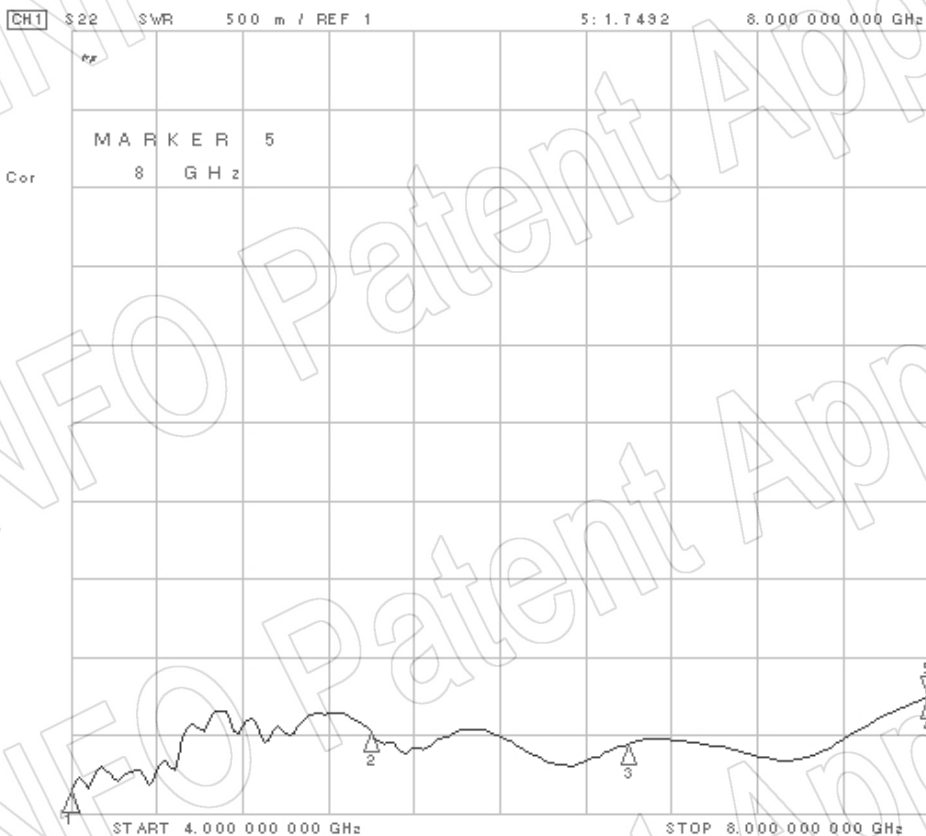
### 1. Gain



### 2. Axial Ratio



### 3. VSWR



CH1 Markers

Marker	Frequency (GHz)
1	1.1481
2	1.5274
3	1.7492
4	1.7492
5	8.0000

## 5. Pattern

